

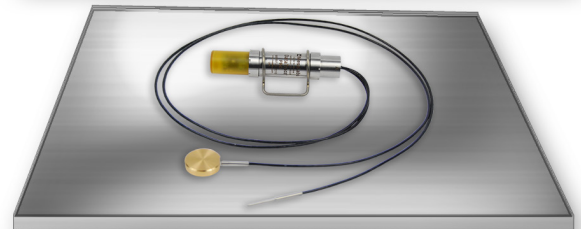
Micro Flex Data Logger

DataTrace[®]
Micro Flex Data Logger

Mesa introduces its new Micro Flex logger for use in validating surface temperature environments. Its dual probe design provides capability to measure surface and vial temp with one logger or measure two vials or two surface temperatures at one time.

Used in validation of shelf temperatures in:

- Lyophilization (freeze-drying)
- Shelf Temperature Profiling
- Vial Temperature Measurement
- Stability Chambers



Not Just a Lyophilization Logger

DataTrace Micro Flex offers:

- Faster temperature response time
- Shielded, Ultra-flexible silicone probe
- Customized solutions

Logger Includes:

- Two 2mm flexible probes*
- Standard temperature battery (-40°C to 140°C)
- Low temperature battery (-80°C to -40°C)
- 1 shelf temperature puck attachment



*Specifications on reverse

Product Specifications***

Operation

Operating Temperature:

-80 to 140°C

Temperature Accuracy:

0.2°C (-40°C to 140°C), 0.35°C (-80°C to -40°C)

Resolution:

0.001°C

Operating Pressure:

Up to 10 BAR

Wireless Range:

100 feet (30 meters) Line of Sight

Radio Frequency:

2.4 GHz ISM Band

Physical

Size:

Width: 0.91 in (23.2mm)

Length: 3.7 in (94mm)**

Weight: 6.0 oz (170 grams)**

Material: 316 stainless steel and ULTEM or PCTFE

Probe/Hub: Flex Cable Standard Lengths: 18 in, 24 in, 30 in, 36 in

Tip Length: 2 in (37.5mm)

Tip Diameter: 2mm

Mechanical

Calibration: Factory calibrated (NIST traceable) or Field Calibration

Battery Type: AA Lithium (field-replaceable)

Battery Life: 6 months to 1 year (depending on usage)

Battery Weight:

Standard Temperature Battery: 0.6 oz (17 grams)

Low Temperature Battery: 0.67 oz (19 grams)

Clock accuracy: 10 seconds per 24 hours (25°C)

Certifications:

ATEX (for intrinsic safety)

FCC Class B digital device (part 15 compliant)

Monitoring Parameters

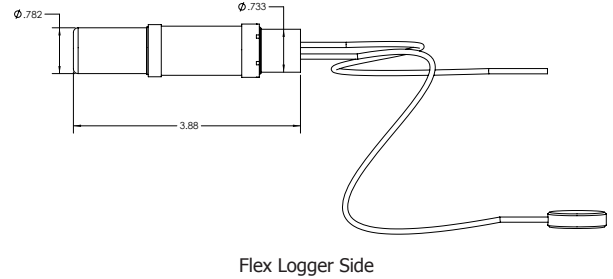
Memory:

8,192 time/temperature observations or 16,384 observations in compressed data mode.

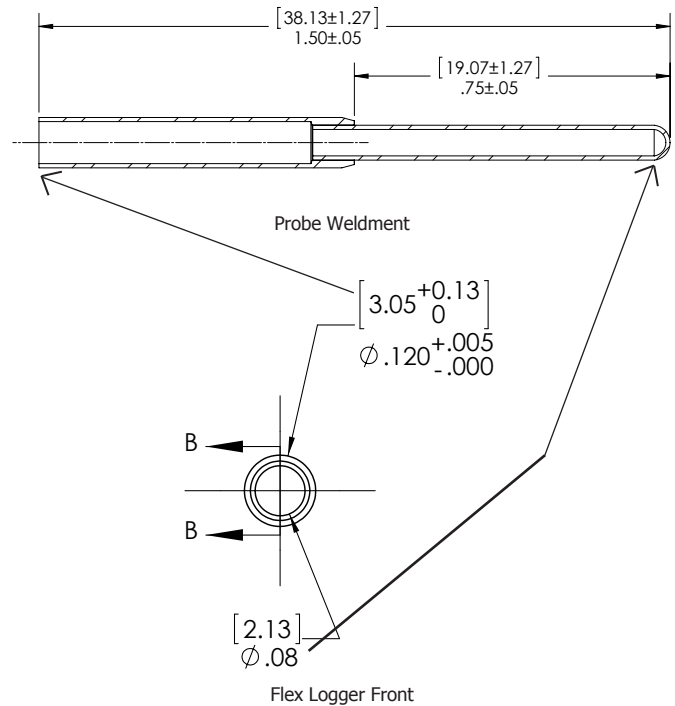
Sample rates:

Operator programmable

- 5 sec. to 1 hr interval with radio
- 1 sec. to 1 hr interval without radio



Probe Dimensions



*Operation below -40°C requires a special battery. The low-temp battery provided by Mesa should be used in this operating range. When the logger is used above 0°C, the standard battery can be used. Please note, the standard battery can be used across the full operating range of the logger, but will have severely degraded performance at temperatures below -40°C.

**Body only.

***Spec drawings in inches

Not intended for submersion or use in silicone oil.

All specifications subject to change without notice. DataTrace is a registered trademark and Micropack RF is a trademark of Mesa Laboratories, Inc. All other trademarks and registered trademarks are the sole property of their respective owners.

© Copyright 2016 Mesa Laboratories, Inc.



21 CFR Part 11 Compliant